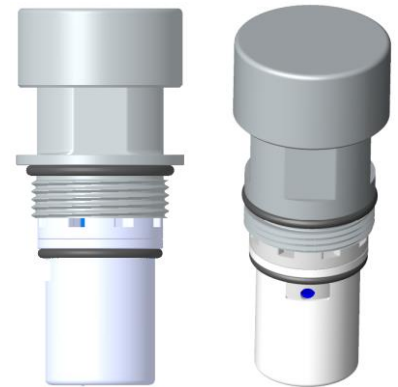


SCV M26x19

Self-Closing Valve

Versions

19MTB0C07	Basin
19MTU0C07	Urinal



Technical specifications

Prescribed tightening torque ⁽¹⁾	7 -8 Nm
Working pressure (recommended)	1-5 bar
Burst pressure	>25 bar
Life cycle EN 816	210.000 cycles
EN 12541	70,000 cycles
Max. Water temperature	40 °C

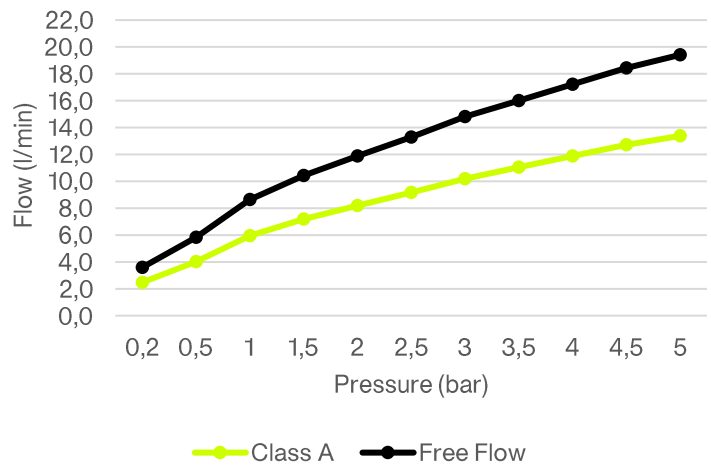
Flow rate @ 3 bar⁽²⁾

Free flow	14,8 L/min
A-Restrictor	10,2 L/min

Hydraulic parameters @ 3 bar⁽²⁾

Duration of flow after 500 cycles:	
19MTB0C07 (water saving)	7 ± 3 s
19MTU0C07	3 ± 1 s
Volume per cycle (water saving):	
19MTB0C07, Class ≤8 L/min	<0,7 L
19MTU0C07	Class 1,5

Flow rate curve (DN8)⁽²⁾

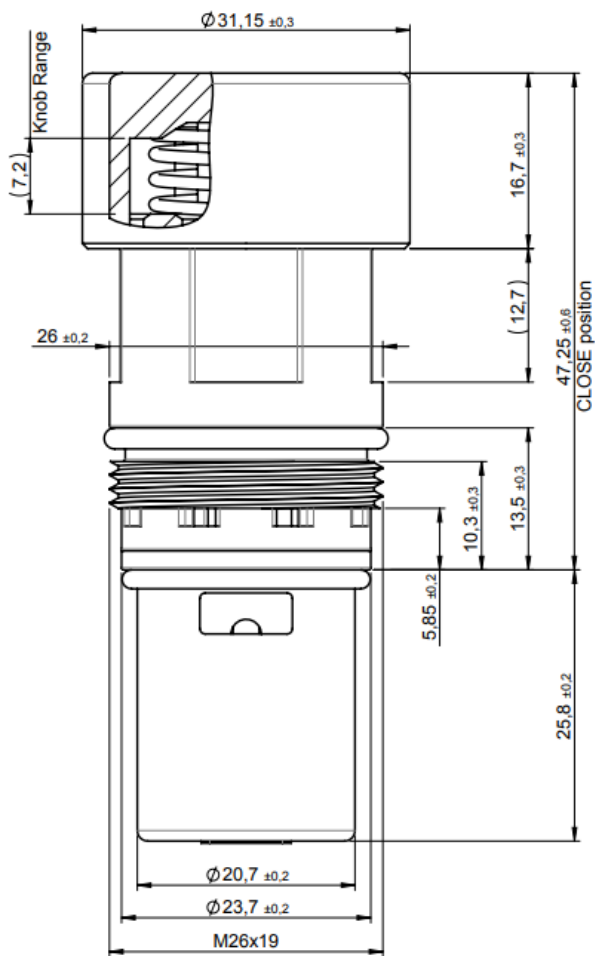


(1) It is related to faucet body and nut, both in brass material, pitch 1,5mm and no lubricant applied on the threads. For other faucet body – nut material combinations please contact SEDAL.

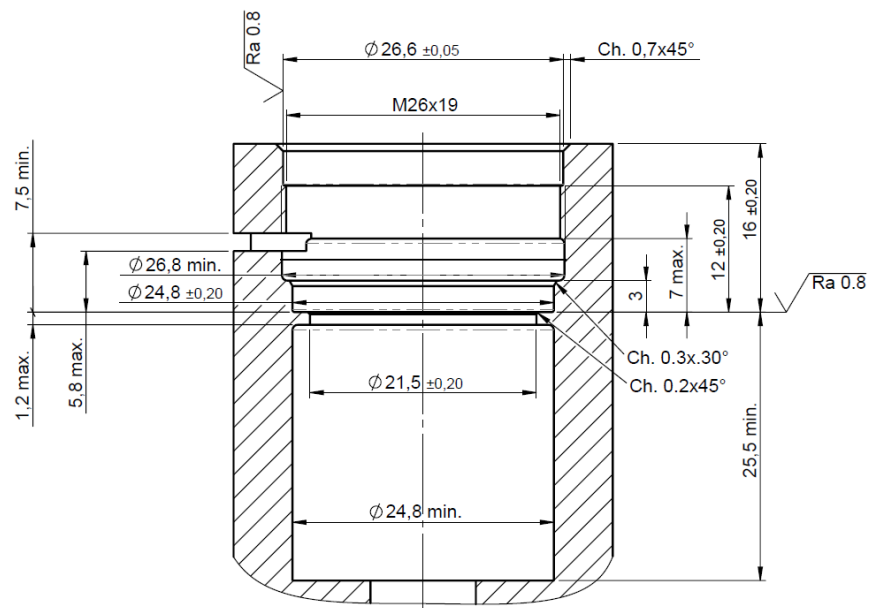
(2) Measured with SEDAL faucet.

Sedal

Technical dimensions (3)



Machining tips (4)(5)



(3) Dimensions of the valve assembled into the faucet (without vertical gap between parts).

(4) Sealing surfaces must be free of burrs and sharp areas. The faucet body must be free of debris.

(5) A filter must be installed inside the faucet, upstream the valve.