

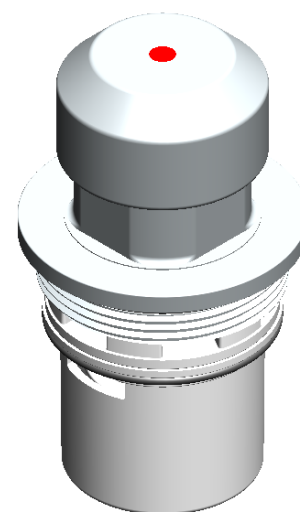
### SCV M37 SHOWER

Self-closing Valve

#### Versions

19MTS0H01

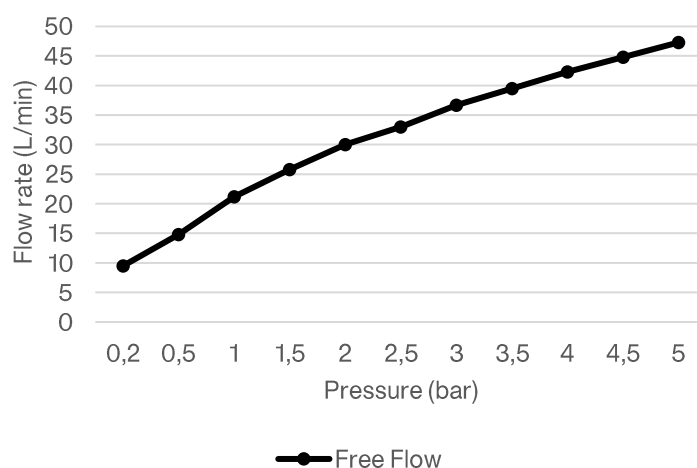
Standard



#### Technical specifications

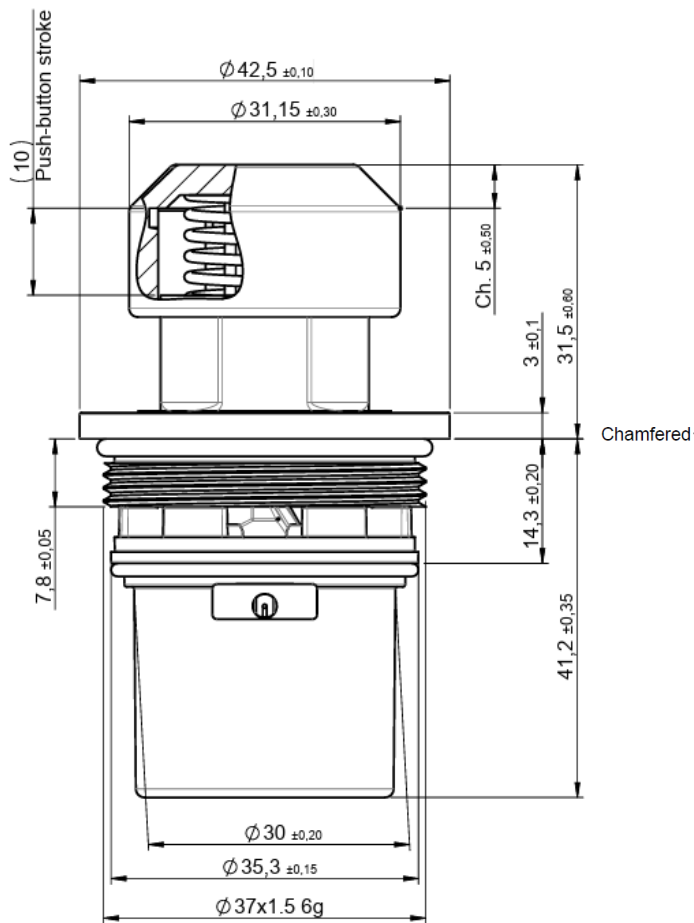
Prescribed tightening torque	7 -8 Nm
Operation force EN-816	<65 N
Flow duration after 500 cycles EN-816 (Shower)	20-35 s
Working pressure (recommended)	1 – 5 bar
Burst pressure	>25 bar
Life cycle EN-816	210.000 cycles
Noise acc. EN-816 (Shower Class B) <sup>(1)</sup>	Acoustic Group I <20 dB
Max. recommended water temperature	45°C
<b>Flow rate @ 3 bar<sup>(1)</sup></b>	
Free flow	36,7 L/min

#### Flow rate curve <sup>(1)</sup>

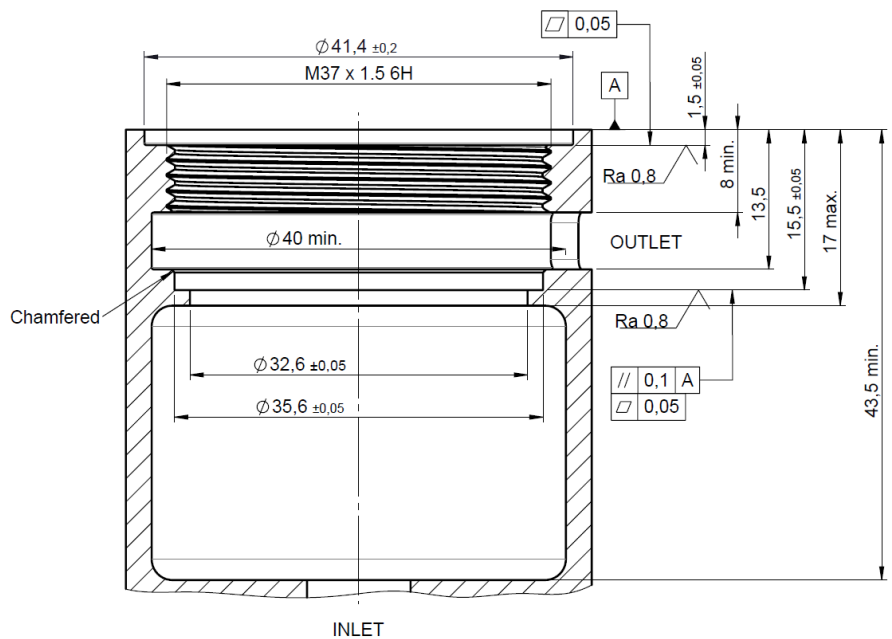


(1) Measured with SEDAL faucet

## Technical dimensions (2)



## Machining tips (3)



**NOTE:**  
A mesh-80 must be installed upstream the valve.

(2) Dimensions of the valve assembled into the faucet (without vertical gaps between parts)

(3) Sealing surfaces must be free of burrs and sharp areas. The faucet body must be free of debris