

COMPACT

Shower Diverter

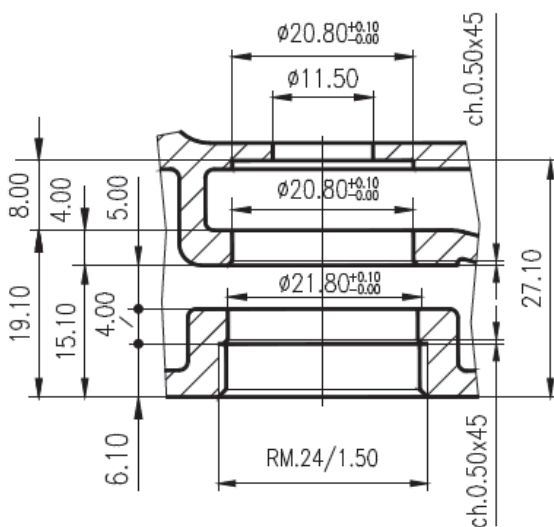
09CKCR00



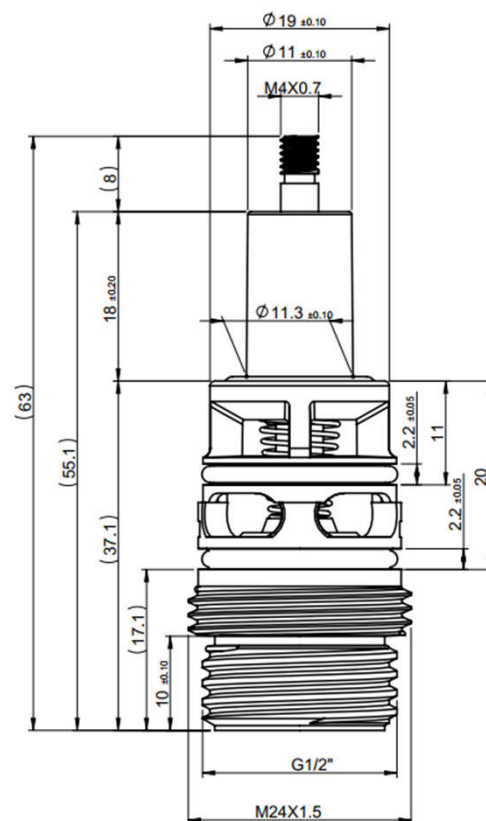
Technical specifications

Operative	Manual and automatic
Torque	5-6Nm
Pressure resistance	Max. 8,6 bar
Working pressure	0,5 ÷ 4 bar
Max. Temperature	90°C
Endurance test	>30,000 cycles
Actuation force	1,3 bar → ≤ 22N 3,0 bar → ≤ 45N

Machining prescription



Technical dimensions



(1) Measured with Sedal's faucet