

# DIVERTER GD4-40 S/D

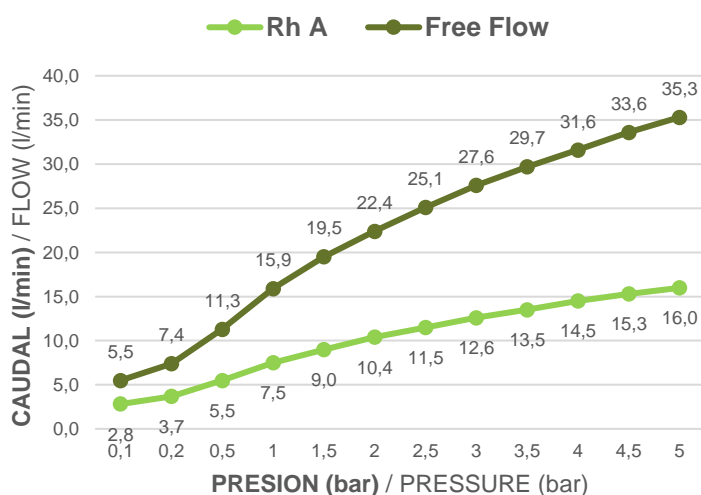
40 mm 4 positions Diverter  
08GD40S0001



## Technical specifications

Prescribed tightening torque <sup>(1)</sup>	10 ÷ 12 Nm
Angle between positions	90° (4 positions)
Rotation angle	360° (full rotation)
Working pressure (recommended)	1 ÷ 5 bar
Burst pressure	>35 bar
Life cycle NF 077 EN 817	30,000 cycles 30,000 cycles
Recommended hot water temp. according standards	60°C ÷ 65°C
Max. Hot water temperatura	90°C
<b>Flow rate @ 3 bar<sup>(2)</sup></b>	
Free flow	28,9 l/min
A-Restrictor	17,3 l/min
<b>Operation torque at 3 bar</b>	
Turning between positions	0,15 ÷ 0,45 Nm
Positioning click	0,35 ÷ 0,60Nm

## Flow rate<sup>(2)</sup>



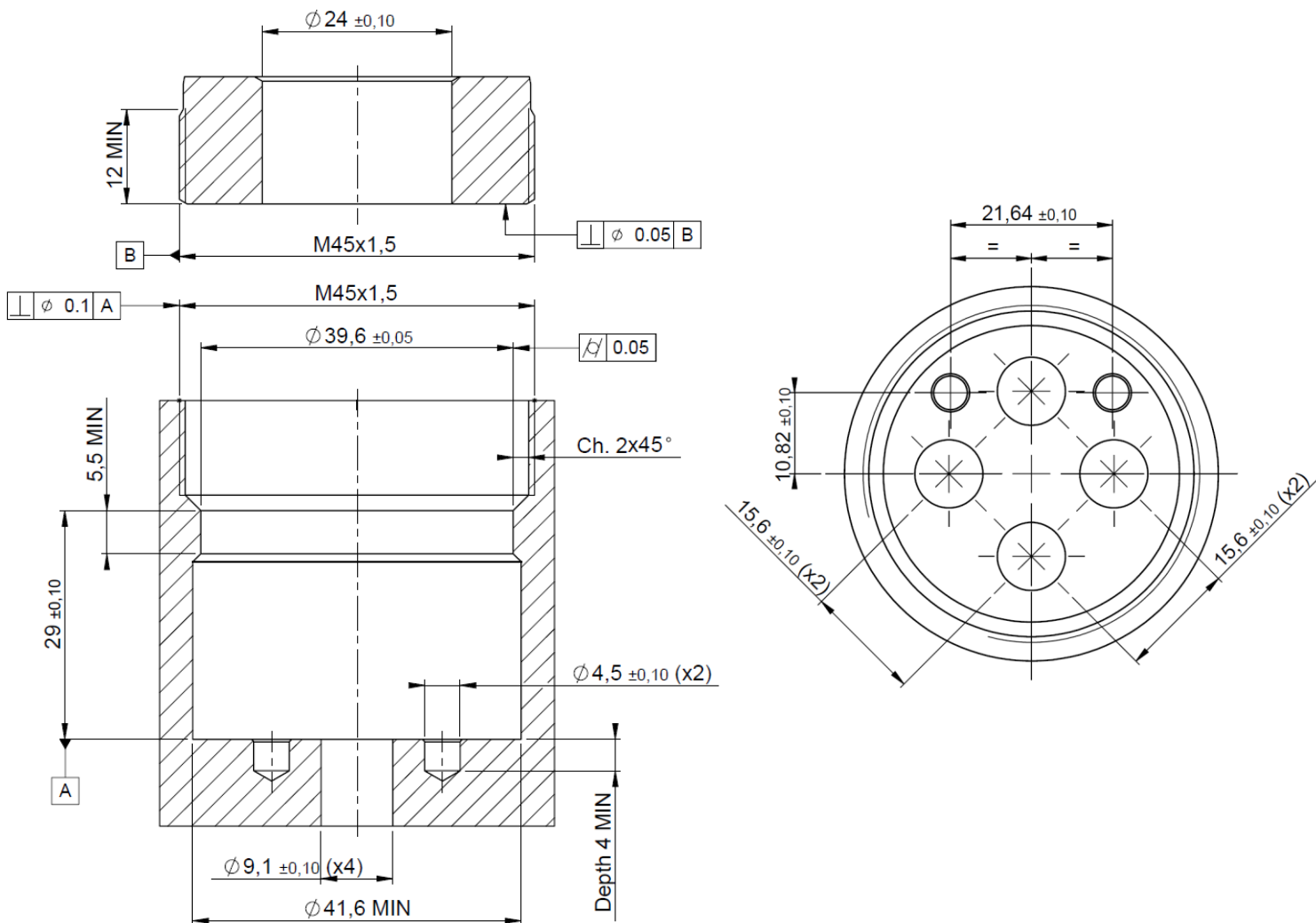
(1) The prescribed tightening torque is related to faucet body and nut both in brass material, pitch 1,5mm and no lubricant applied on the threads. For other faucet body - nut material combinations please contact SEDAL.

(2) Measured with SEDAL faucet.



GD4-40 S/D  
40 mm 4 positions Diverter

**Machining prescription<sup>(4)</sup>**



(4) Sealing surfaces must be free of burrs and sharp areas. The faucet body must be free of debris