

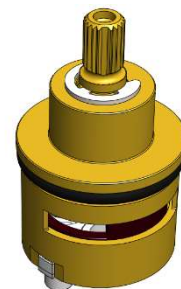
BRASS GD33 3V 360° 6 CLICK OFF

Diverter Cartridge

Version

08GD35S0020

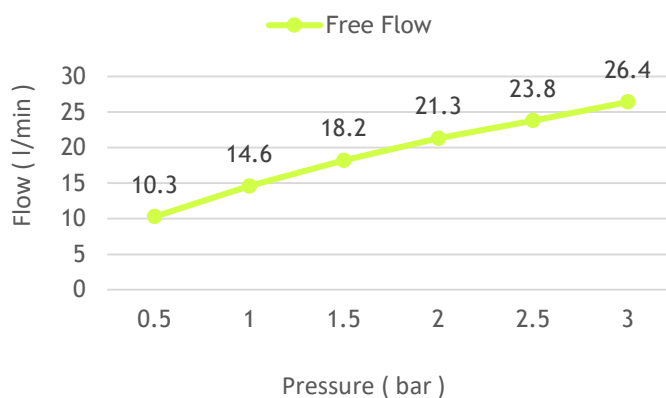
Φ33mm



Technical specifications

Prescribed tightening torque (1)	10 - 12 Nm
Rotation angle	360°
Revolving	A↔OFF↔B↔ OFF↔C↔OFF↔A
Working pressure (recommended)	1 - 5 bar
Burst pressure	>35 bar
Life cycle	EN 817 30,000 cycles ASME A112.18.1 M 15,000 cycles
Max. Hot water recommended	60 - 65°C
Max. Hot water	90°C
Flow rate @ 3 bar (2)	
Free flow	26,40 l/min
Operation Torque	
Left-Right	0,10 - 0,25 Nm
Click	0,30 - 0,45 Nm

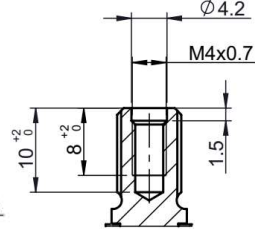
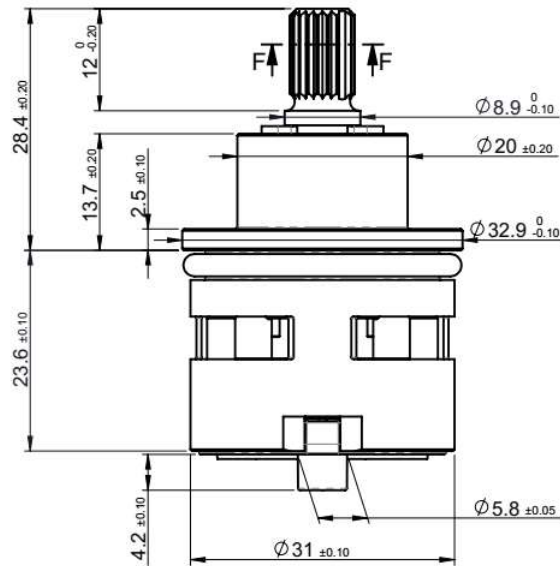
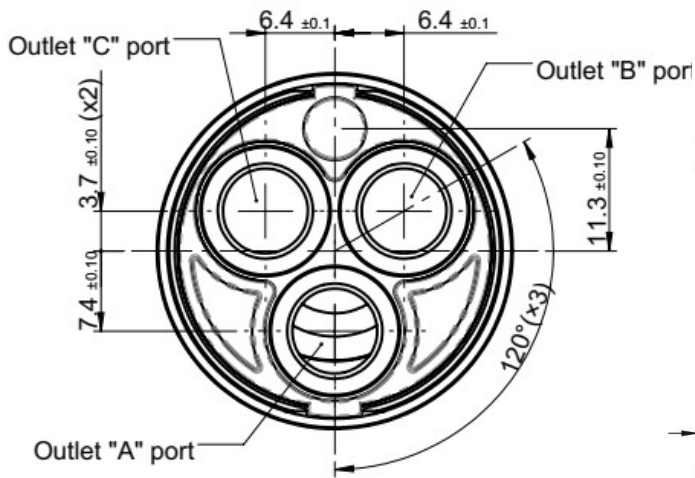
Flow rate curve (2)



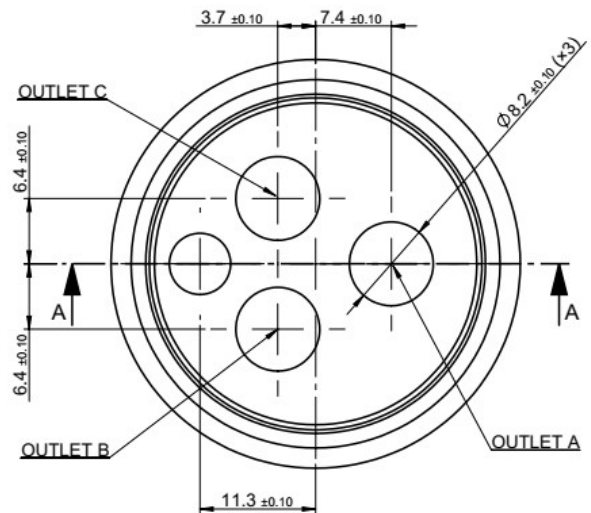
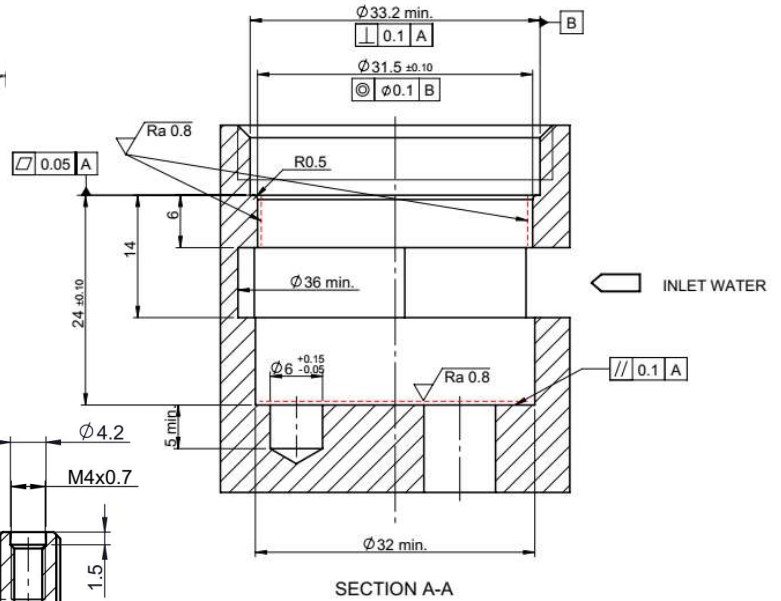
(1) The prescribed tightening torque is related to faucet body and nut both in brass material, pitch 1,5mm and no lubricant applied on the threads. For other faucet body – nut material combinations please contact SEDAL.

(2) Measured with SEDAL faucet.

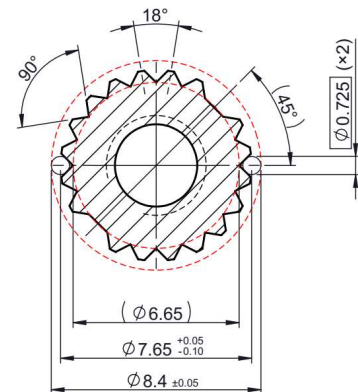
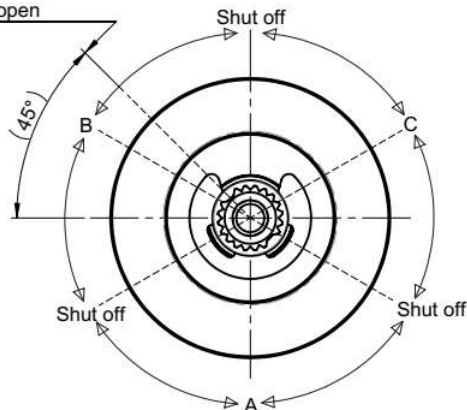
Technical dimensions (3)



Machining tips (4)



Gap of tooth (x2) in this position with outlet "A" port open



- (3) Dimensions of the cartridge assembled into the faucet (without vertical gap between the cover and the base)
 (4) Sealing surfaces must be free of burrs and sharp areas. The faucet body must be free of debris