

DIVERTER GD4-35 S/D

35 mm 4 positions Diverter

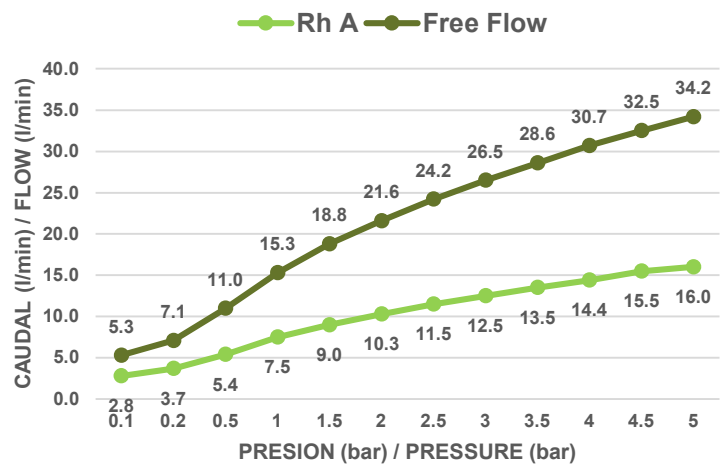
08GD35S0001



Technical specifications

Prescribed tightening torque ⁽¹⁾	10 ÷ 12 Nm
Angle between positions	90° (4 positions)
Rotation angle	360° (full rotation)
Working pressure (recommended)	1 ÷ 5 bar
Burst pressure	>35 bar
Life cycle	NF 077 EN 817 30,000 cycles 30,000 cycles
Recommended hot water temp. according standards	60°C ÷ 65°C
Max. Hot water temperature	90°C
Flow rate @ 3 bar⁽²⁾	
Free flow	26,5 l/min
A-Restrictor	15,5 l/min
Operation torque at 3 bar	
Turning between positions	0,15 ÷ 0,40 Nm
Positioning click	0,35 ÷ 0,60 Nm

Flow rate at MIX⁽²⁾



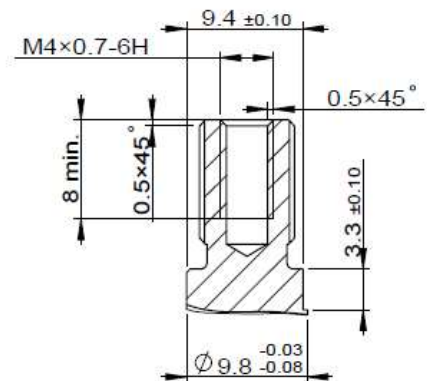
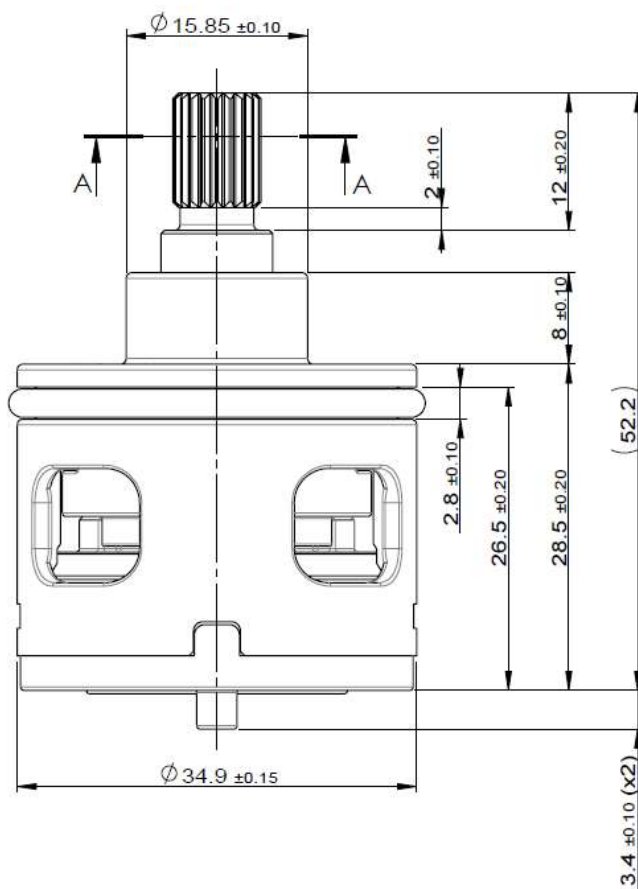
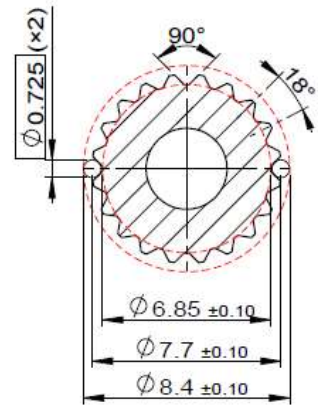
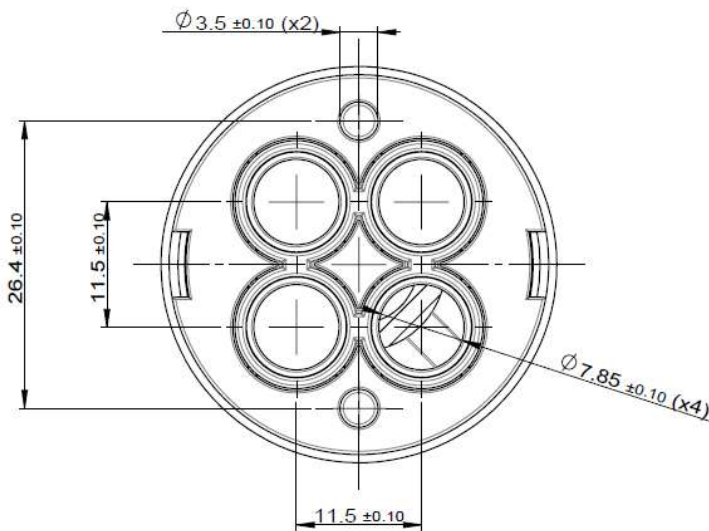
(1) The prescribed tightening torque is related to faucet body and nut both in brass material, pitch 1,5mm and no lubricant applied on the threads. For other faucet body - nut material combinations please contact SEDAL.

(2) Measured with SEDAL faucet.

GD4-35 S/D

35 mm 4 positions Diverter

Technical dimensions (3)

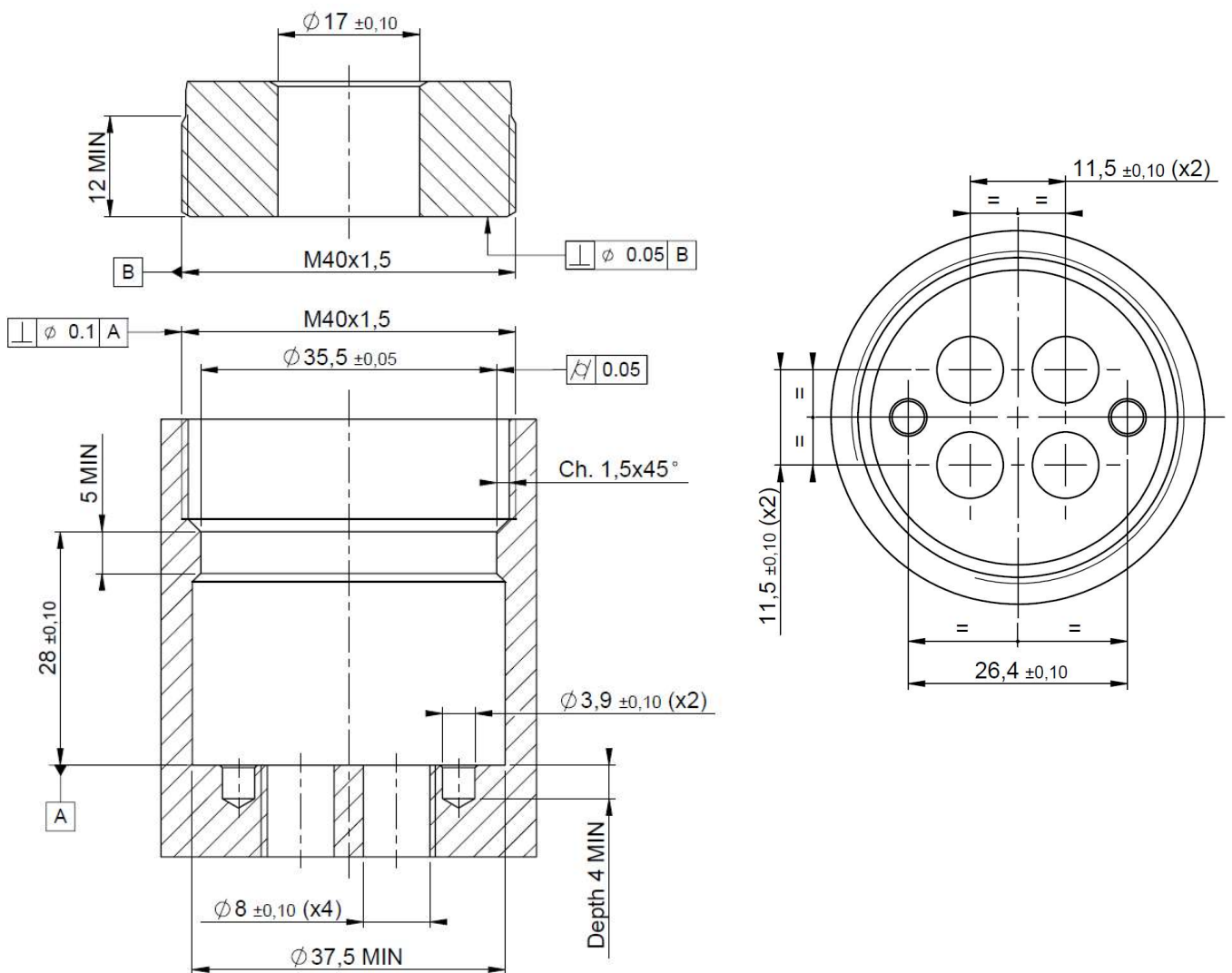


(3) Dimensions of the cartridge assembled into the faucet (without vertical gap between the cover and the base)

GD4-35 S/D

35 mm 4 positions Diverter

Machining prescription⁽⁴⁾



(4) Sealing surfaces must be free of burrs and sharp areas. The faucet body must be free of debris