

# GD-35 C/D

Single lever cartridge  
Diverter 35mm on/off function

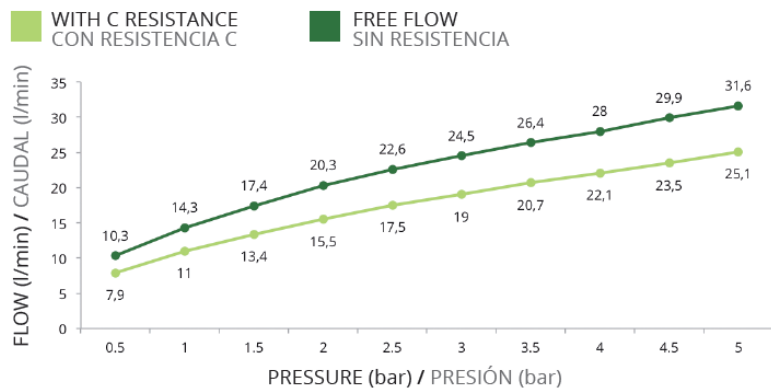
**08GD35LBE00**



## Technical specifications

Prescribed tightening torque <sup>(1)</sup>	10-12 N.m	
Rotation angle	180°	
Working pressure (recommended)	1 - 5 bar	
Burst pressure	30÷ 35 bar	
Life cycle	EN 817 ASME 112.18.1 M	70,000 cycles 500,000 cycles
Max. Hot water	90 °C	
<b>Flow rate @ 3 bar <sup>(2)</sup></b>		
Free flow	24,50 l/min	
C-Restrictor	19,00 l/min	
<b>Smooth feeling movement without water pressure</b>		
Turn left-right	0,22 ÷ 0,25 Nm	

## Flow rate at MIX<sup>(2)</sup>



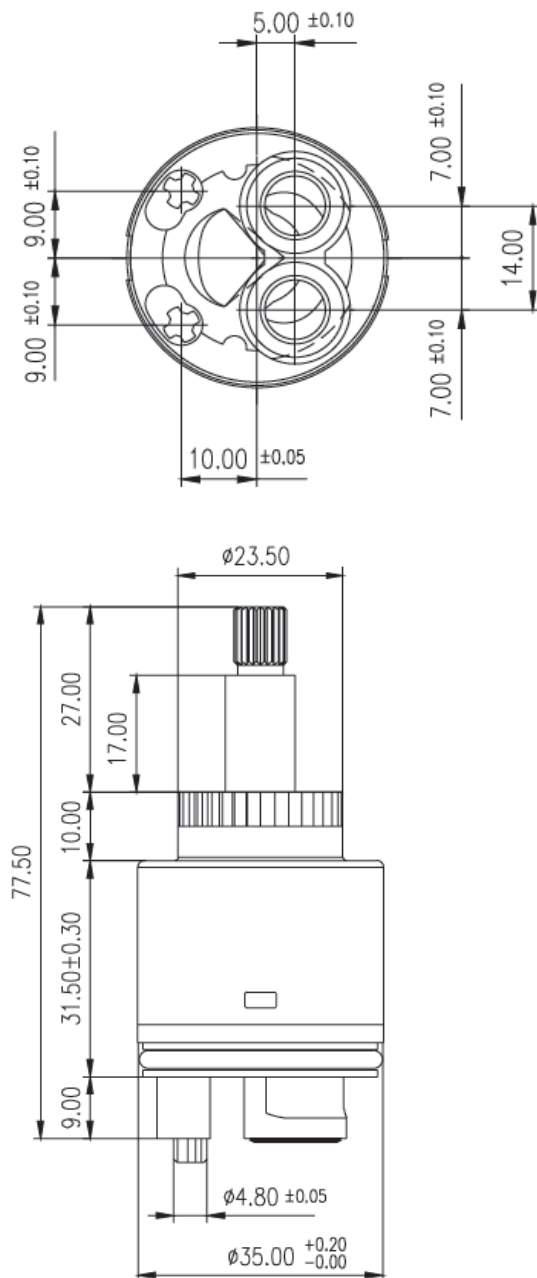
(1) The prescribed tightening torque is related to faucet body and nut both in brass material, pitch 1,5mm and no lubricant applied on the threads. For other faucet body - nut material combinations please contact SEDAL.

(2) Measured with SEDAL faucet.

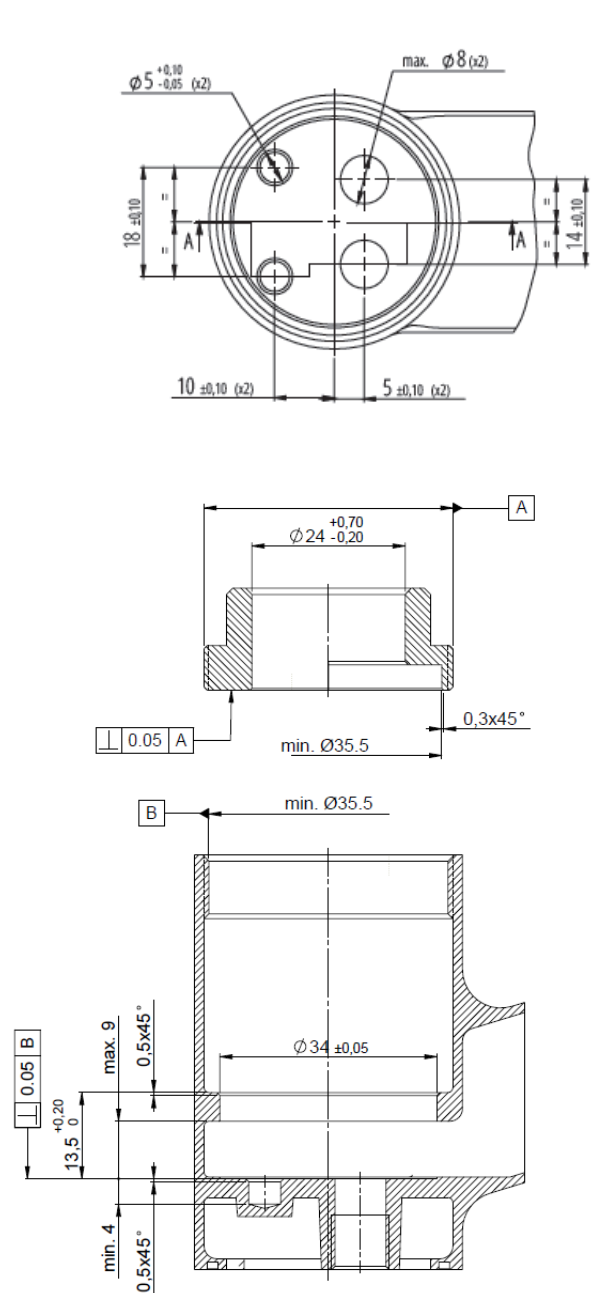
Single lever cartridge  
Diverter 35mm on/off function

GD-35 C/D

### Technical dimensions (3)



### Machining prescription(4)



(3) Dimensions of the cartridge assembled into the faucet (without vertical gap between the cover and the base)

(4) Sealing surfaces must be free of burrs and sharp areas. The faucet body must be free of debris