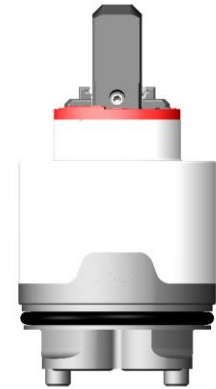


# SN-40 C/D THEDRA TRN COLD DUE C3

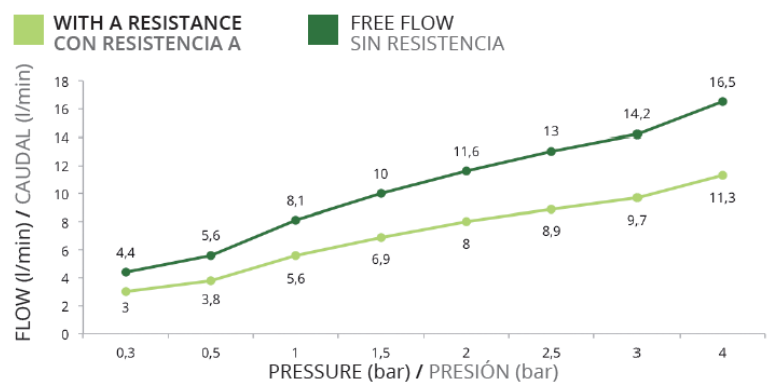
Single lever cartridge Standard 40 mm  
**08SN40L5501**



## Technical specifications

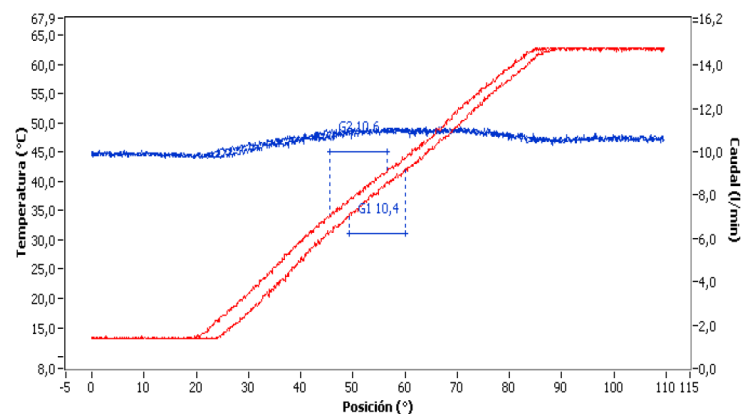
Nut torque/Pitch M1,5	10-12 N.m
Opening angle	25°
Rotation angle	110°
Working pressure (recommended)	1 - 5 bar
Burst pressure	>50 bar
Life cycle	EN-817 NF U3 (x2) ASME 112.18.1 M (x2)GB18145
	175,000 cycles 1,000,000 cycles 140,000 cycles
Sensitivity (Handle r>57mm) <sup>1</sup>	>10 mm
Fidelity <sup>1</sup>	< 3°C
Max. Hot water recommended	60°C - 65°C
Max. Hot water	90°C
Flow rate at 3 bar <sup>1</sup>	
Free flow(Mix)	14,2 l/min
A-Restrictor(Mix)	9,7 l/min
Saving Device (DUE) according to NF EN 817	
Operation torque without water pressure	
Open - close	0,20 ÷ 0,40 Nm
Turn left-right	0,20 ÷ 0,40 Nm

## Flow Q cold position <sup>1</sup>



Q Cold - Handle at centered position respect to the axis of the faucet spout DN6

## Sensitivity <sup>1</sup>



<sup>1</sup>) Measured with Sedal's faucet

For Sanitary Certification refer to DOC. PS2.4.11

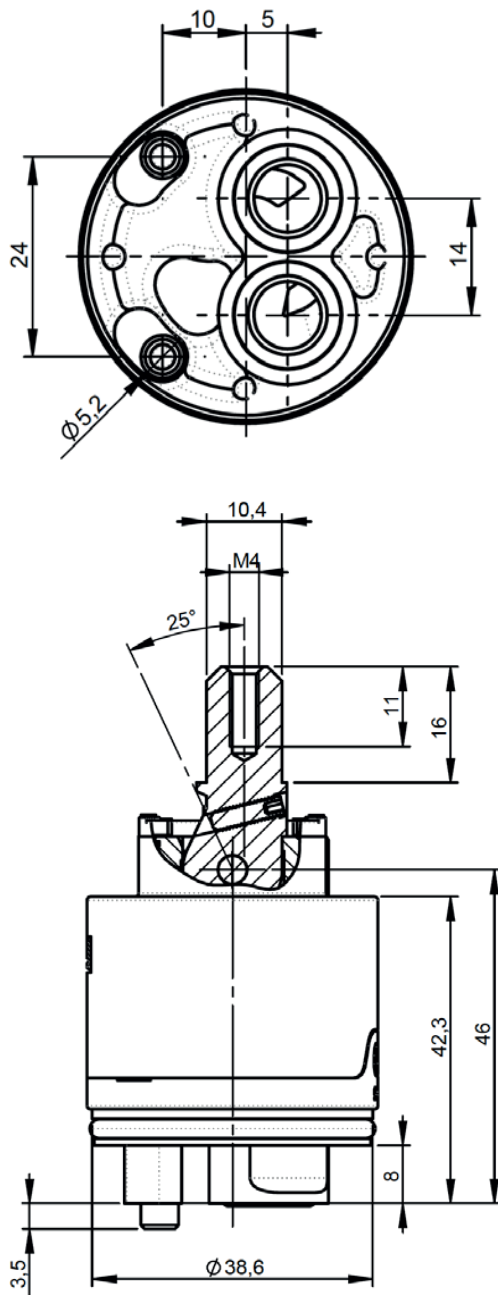
Single lever cartridge Standard 40mm

SN-40 C/D

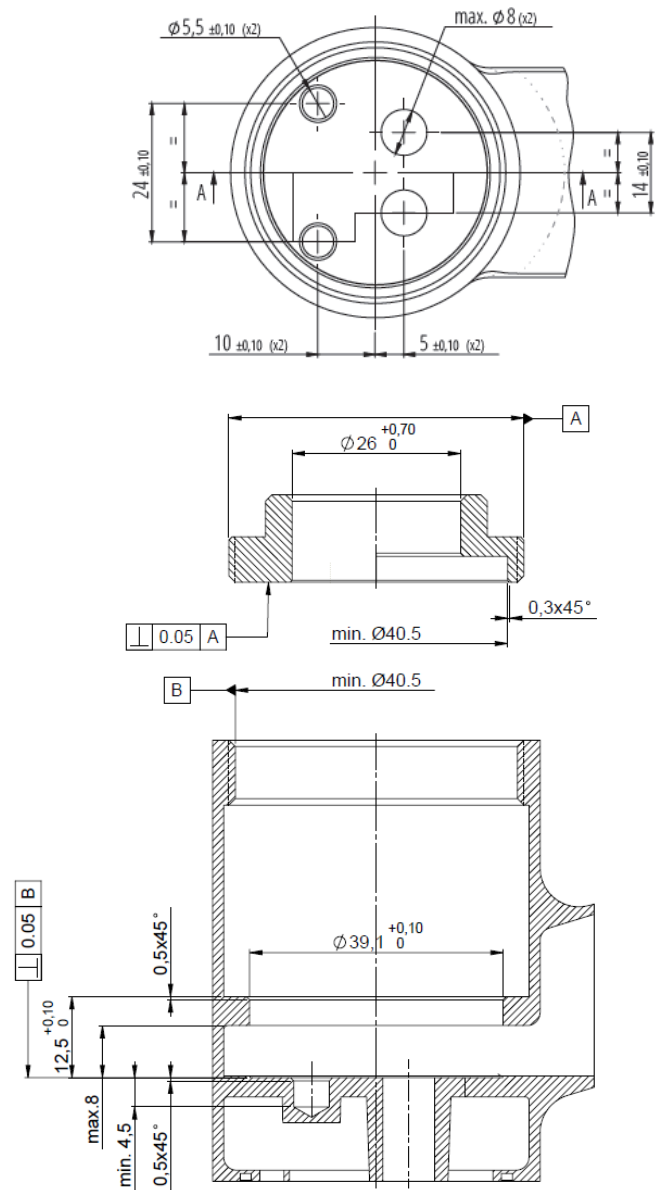
THEDRA

TRN COLD DUE C3

## Technical dimensions <sup>2</sup>



## Machining tips



<sup>2</sup>) Dimensions of the cartridge assembled into the faucet (without vertical gap between the cover and the base)